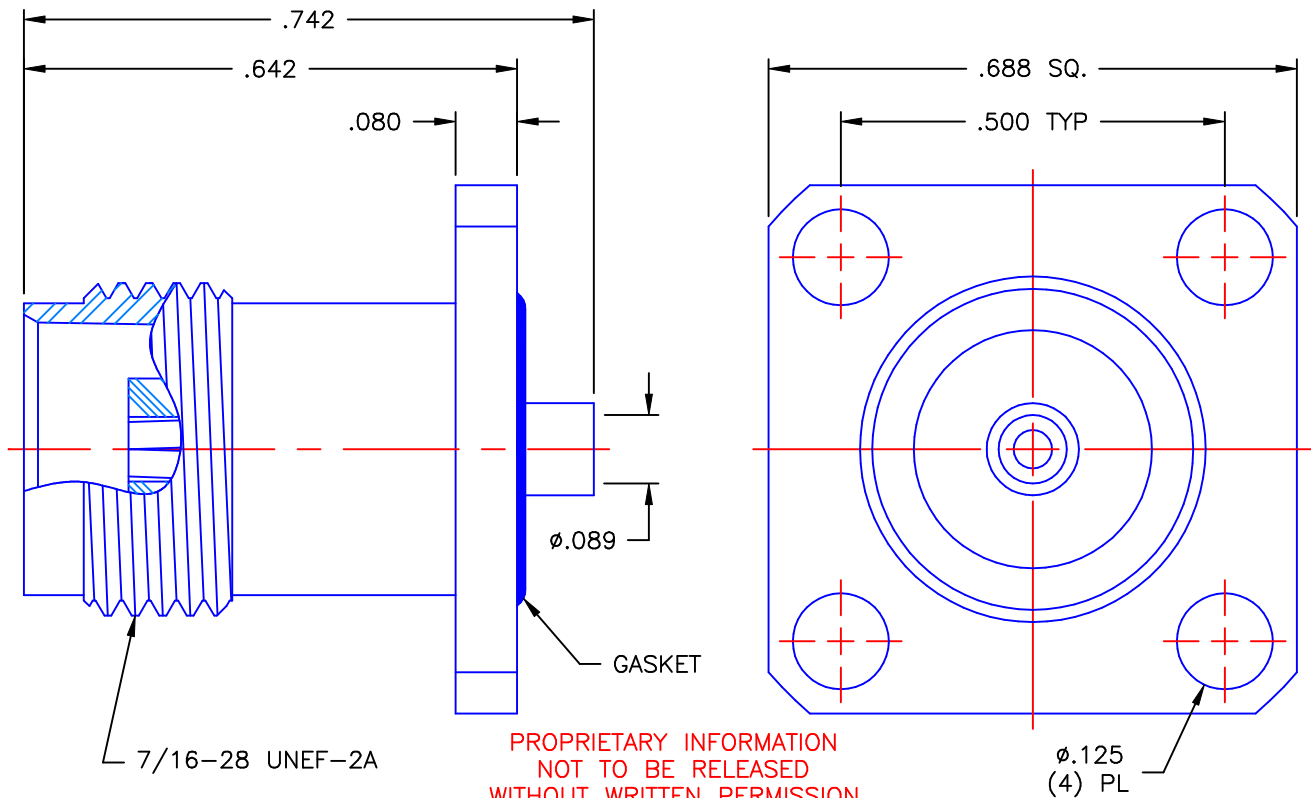


REVISIONS			
REV	DESCRIPTION	DATE	APPROVED
A	INITIAL RELEASE	11/15/06	A.D.M.



PROPRIETARY INFORMATION
 NOT TO BE RELEASED
 WITHOUT WRITTEN PERMISSION
 FROM AN AUTHORIZED
 REPRESENTATIVE OF
 APPLIED ENGINEERING PRODUCTS


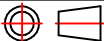
NOTES:

MATERIALS:

1. BODY = STAINLESS STEEL PER ASTM A582, ALLOY 303, CONDITION "A".
2. INSULATORS = VIRGIN WHITE TEFLON PER ASTM D1710, GRADE 1, TYPE I, CLASS "B".
3. CONTACT = BERYLLIUM COPPER PER ASTM B196, ALLOY C17300, TEMPER TD04.
4. REAR CONTACT & RETAINING SLEEVE = BRASS PER ASTM B16, ALLOY C36000, TEMPER H02.
5. GASKET = SILICONE RUBBER PER ZZ-R-765, CLASS 2B, GRADE 65-75.

FINISHES:

1. CONTACTS = GOLD PLATE PER MIL-G-45204, TYPE II, CLASS 1, GRADE C, OVER .00010 TO .00020 STRESS FREE SULFAMATE NICKEL PER QQ-N-290.
2. ALL OTHER METAL PARTS = SILVER PLATE PER QQ-S-365, TYPE III, GRADE A, .0002 TO .0003 THICK OVER COPPER FLASH PER MIL-C-14550, .000010 TO .000030 THICK.

UNLESS OTHERWISE SPECIFIED DIMENSIONS ARE IN INCHES TOLERANCES ON	DWN: A.D.M.	DATE 11/15/06	 APPLIED ENGINEERING PRODUCTS 104 John W. Murphy Dr. New Haven, CT 06513
	CHKD: D.N.	DATE 11/15/06	
DECIMAL	ANGLE	APVD: J.M.	DATE 11/15/06
REFERENCE:		MATERIALS & FINISHES: SEE NOTES	
ORIGINATOR: A.D.M. DATE: 11/15/06		SIZE A	FSCM NO. 19505
		DWG NO. 6015-6583-010	REV A
		SCALE 4:1	THIRD ANGLE PROJECTION 
		SHEET 1 OF 1	

6015-6583-010